

Scanner Instructions

CAUTION - Please read the following before using the turntable.

Please make sure objects are stable and well balanced on the table.

Please choose an appropriate speed e.g. for delicate objects a slow table speed is advisable.

Ensure that camera release cable is clear of the table.

Make sure the camera lens is not too close or likely to touch the table or the objects on the table.

Setting up your scanner for use.

Plug your camera cable into the camera remote port of your camera.

Plug the camera cable to the camera port on the left side of the scanner.

Plug in the power supply on the right side of the scanner and switch on.

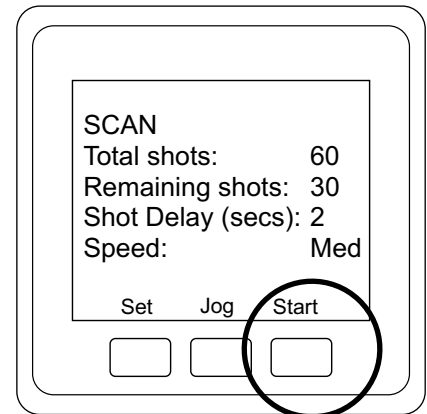
The screen will come on after approx. 5 to 10 seconds.

Switch on your camera.

Place your object safely on the centre of the table.

If you wish to change any of the settings, follow the instructions below, or

Press the "Start" button once you are ready to begin.



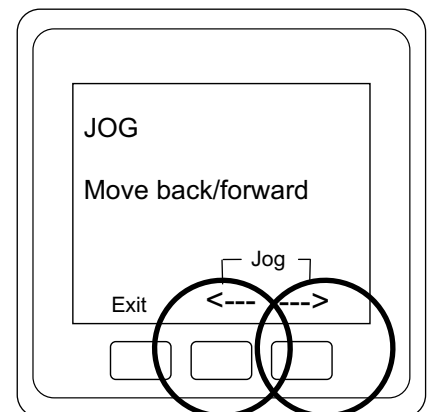
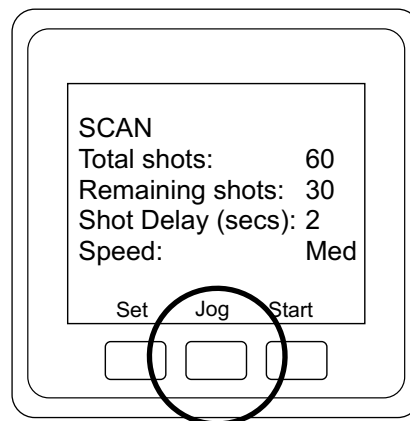
Using the Jog function

The turntable can be jogged forwards and backwards one position of your number of shots at a time.

To use this function, press the Jog button on the main screen.

Press the arrow buttons to jog the turntable one position at a time.

Press "Exit" to return to main screen.



Changing the settings.

There are 4 different settings that you can change:

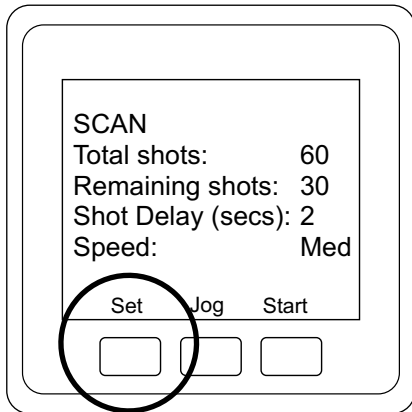
Speed. The rotational speed of the turntable.
Options: - Slow, Medium Fast.

Delay. The time delay before the shot is taken to allow your object to settle.
Options (seconds): - 1, 2, 4, 6, 10, 20, 30, 60, 90 and 120.

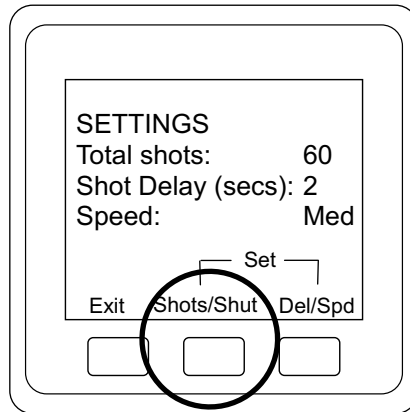
Shots. The number of shots taken per rotation.
Options (shots): - 1, 4, 10, 30, 60, 90, 120, 150, 180

Shutter. The time the shutter is released for, to allow for autofocus or if you want to take a burst.
Options (seconds): - 1, 2, 3, 4, 5, 10, 20, 30, 60

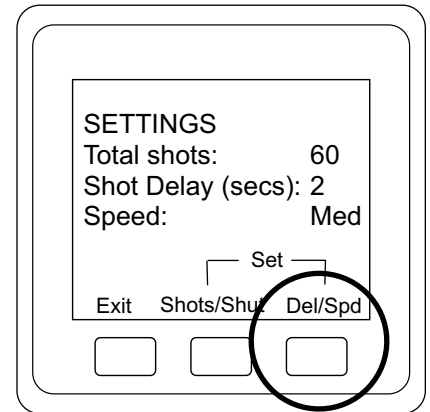
To change any of the settings



To change any of the settings press the set button,

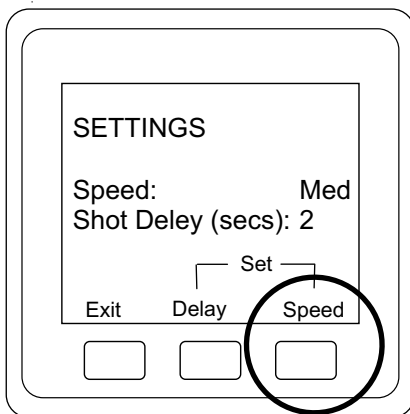


To set the number of shots or the shutter delay press the "Shots/Shut" button,

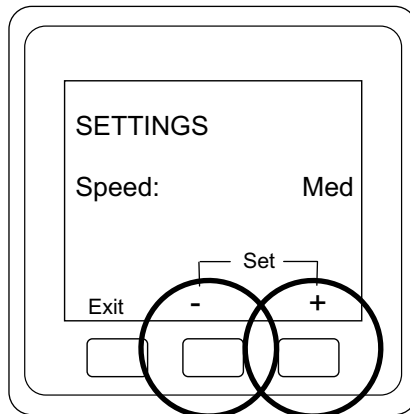


To set the delay before taking a shot or the speed of the turntable press the "Del/Spd" button.

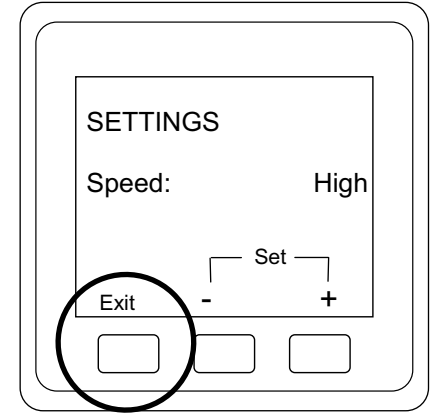
1. To change the turntable speed:



To change the turntable speed press the "Speed" button.



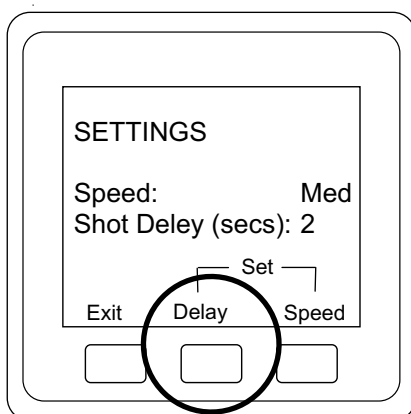
To set the turntable speed press the "-" and "+" buttons.



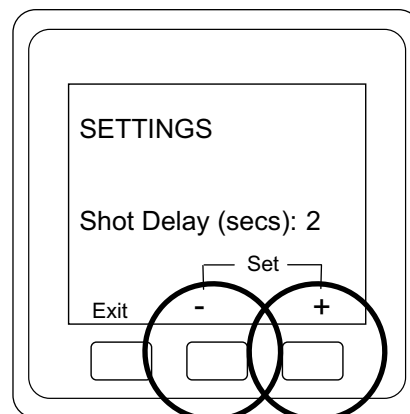
To return to the previous menu press the "Exit" button.

If you wish to return to the main screen press the "Exit" button 2 further times.

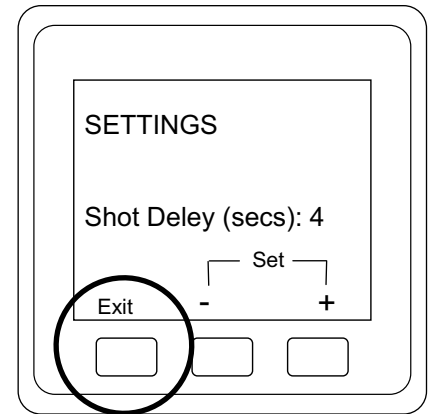
2. To change the shot delay (The time before the shutter release):



To change the shot delay press the "Delay" button.



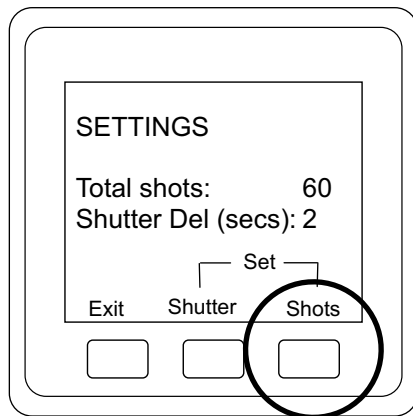
To set the shutter delay press the "-" and "+" buttons.



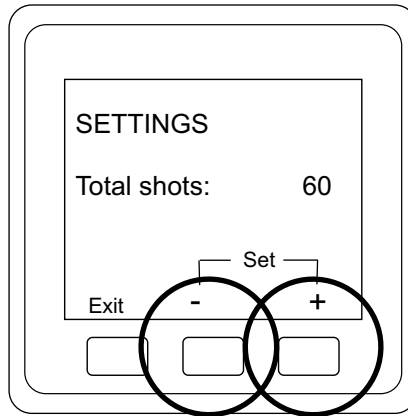
To return to the previous menu press the "Exit" button.

If you wish to return to the main screen press the "Exit" button 2 further times.

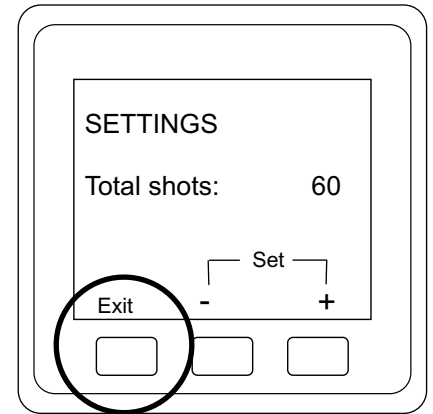
3. To change the number of shots:



To change the number of shots press the "Shots" button.



To set the number of shots press the "-" and "+" buttons.

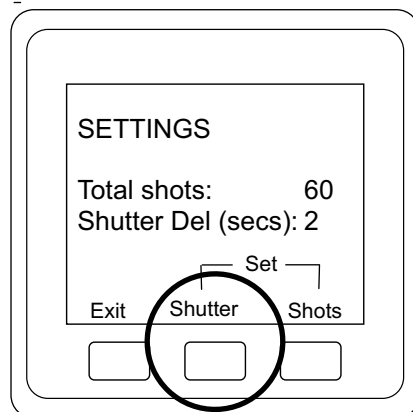


To return to the previous menu press the "Exit" button.

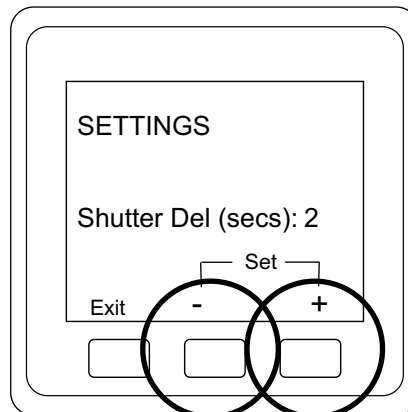
If you wish to return to the main screen press the "Exit" button 2 further times.

4. To change the shutter delay (The time the camera shutter release is on for):

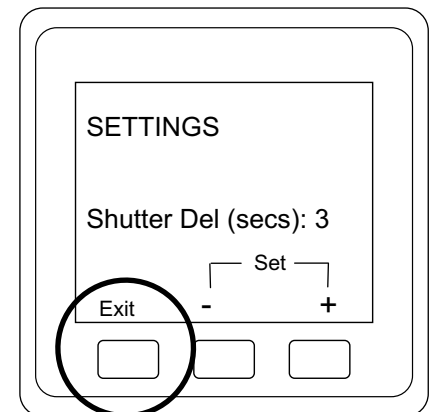
:



To change the shutter delay press the "Shutter" button



To set the shutter delay press the "-" and "+" buttons



To return to the previous menu press the "Exit" button

If you wish to return to the main screen press the "Exit" button 2 further times